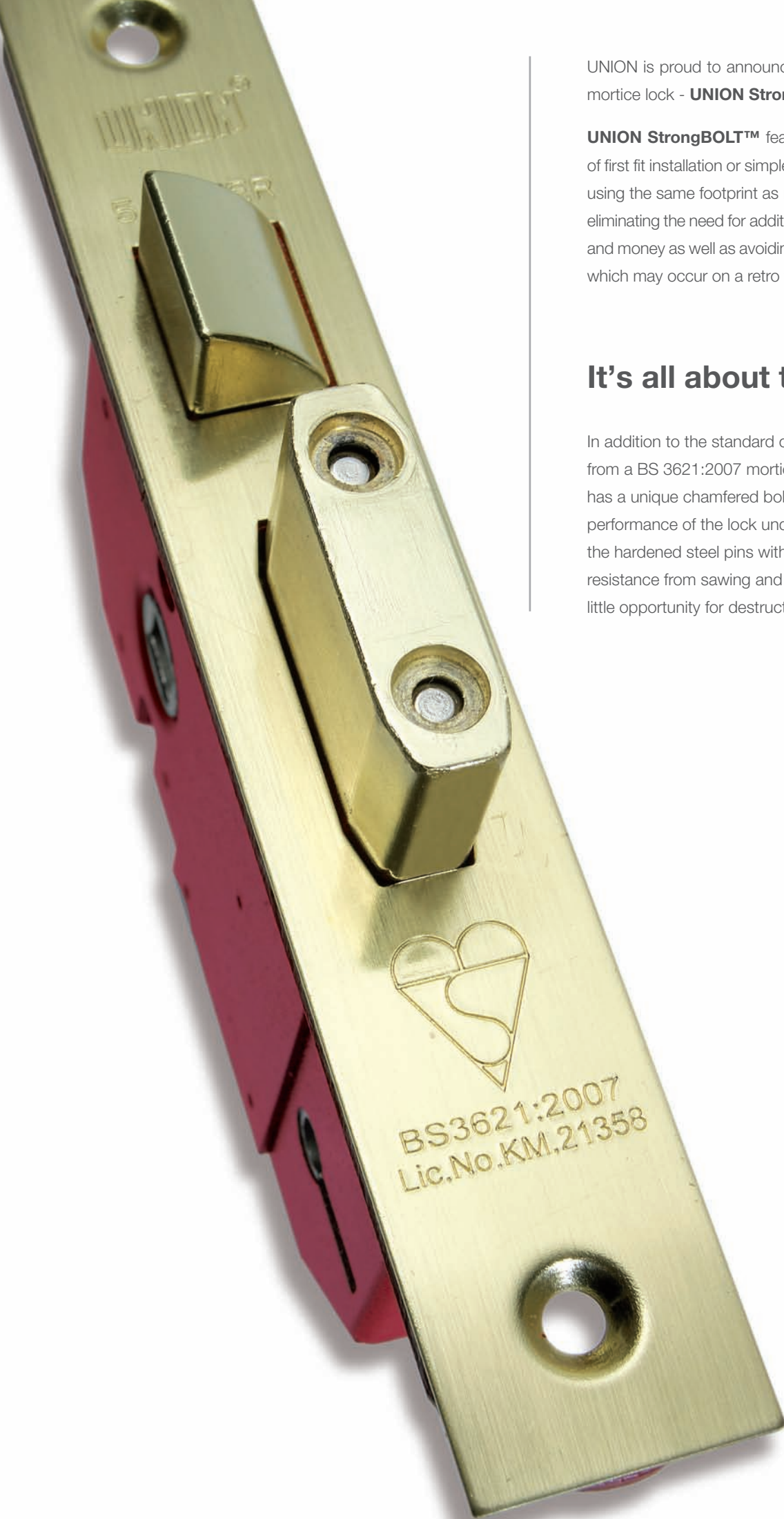


BS 5 lever mortice locks





UNION is proud to announce the new British Standard 5 lever mortice lock - **UNION StrongBOLT™**

UNION StrongBOLT™ features radius inner forends for ease of first fit installation or simple retro fit replacement. It is designed using the same footprint as many UK first fit products, therefore eliminating the need for additional tooling or carpentry saving time and money as well as avoiding spoiling the aesthetics of the door which may occur on a retro fit installation.

It's all about the bolt...

In addition to the standard characteristics you would expect from a BS 3621:2007 mortice lock, **UNION StrongBOLT™** has a unique chamfered bolt design which increases the performance of the lock under side load attack. In addition, the hardened steel pins within the bolt construction provide resistance from sawing and the shape of the bolt also provides little opportunity for destructive tools to make positive contact.

Product Names

StrongBOLT™ 2100S – BS 5 Lever Deadlock

StrongBOLT™ 2200S – BS 5 Lever Sash lock

Application

- For timber doors hinged on the left or right
- Keys suitable for doors up to 54mm thick

Operation

- Deadbolt locked or unlocked by key from either side
- 20mm deadbolt for secure positive deadlocking and additional resistance against attack
- Can be keyed alike

Features

- Anti-pick, anti-saw and anti-drill security features for resistance against attack
- Chamfered bolt design increases the performance of the lock under side load testing. The chamfer of the bolt also makes drilling attack more difficult

Benefits

- Radius inner forend for ease of installation
- Can be installed into many UK mortices without the need for additional carpentry or spoiling the edge of the door
- Anti-pick and keyhole protection prevents forced entry by picking
- Hardened steel pins provide resistance to attack from sawing

Specification

Case Size:	68mm (2.5") or 81mm (3")
Backset:	45mm or 57mm
Centres:	(2200S only) 57mm
Case:	Steel, red powder coat
Forend:	Stainless steel or brass finish
Striking Plate:	Security box type, finished to match forend
Face Plate:	Supplied with square faceplate which covers a radius inner forend
Deadbolt:	With hardened steel rollers
Latch Bolt:	(2200S only) Reversible
Follower:	(2200S only) 8mm square
Rebate Kit:	2100REB / 2200REB 13mm (0.5") or 26mm (1")

Packaging

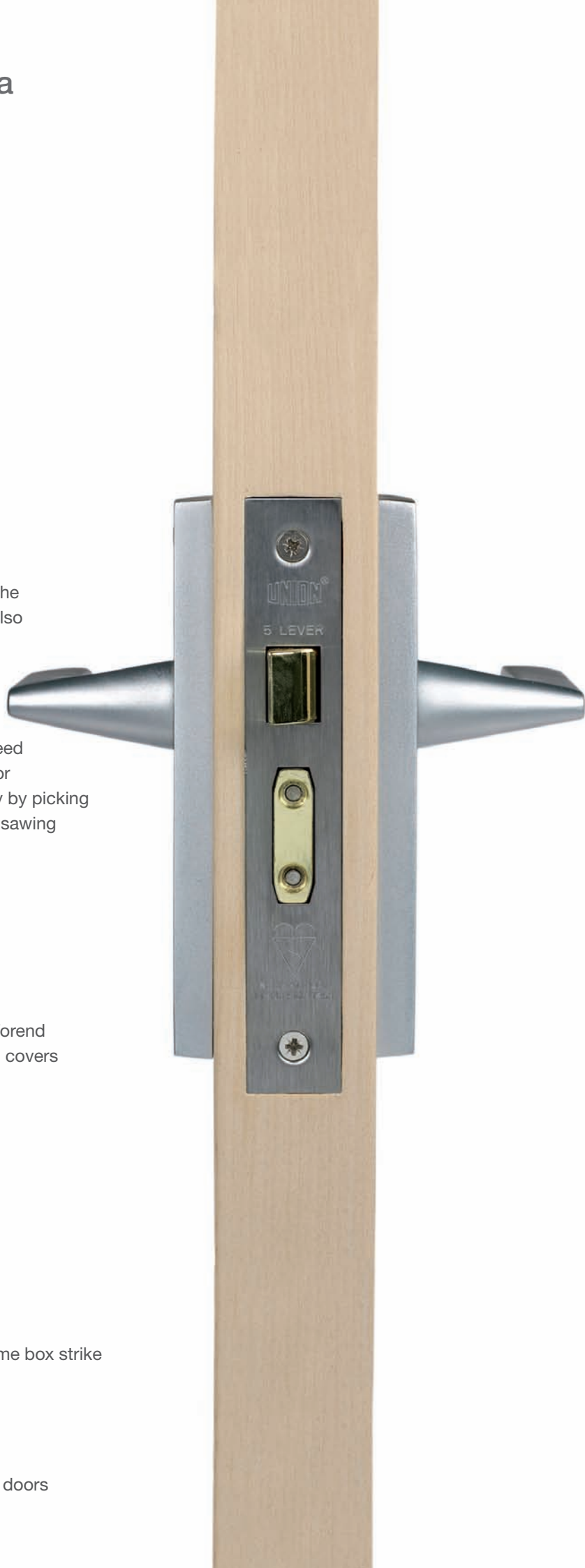
- Individually boxed, supplied in outer boxes of 10

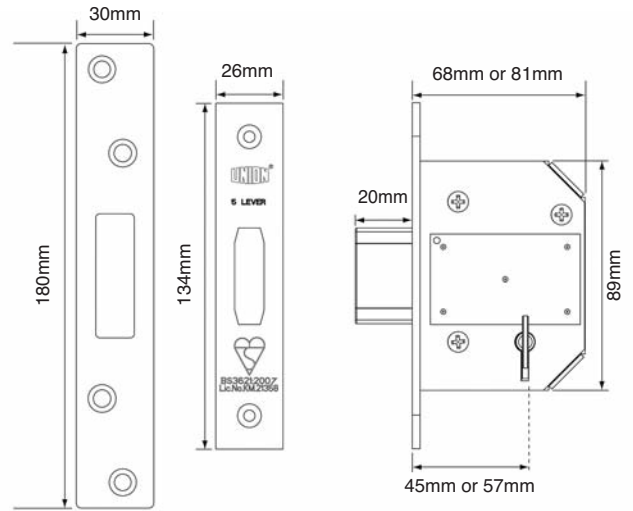
Finishes

- SC - Satin Stainless Steel finish forend and satin chrome box strike
- PL - Satin Brass finish forend and box strike

Standards

- Tested to BS3621:2007
- EN 1634-1 assessed for use on 60 minutes timber fire doors
- Secured by design accreditation





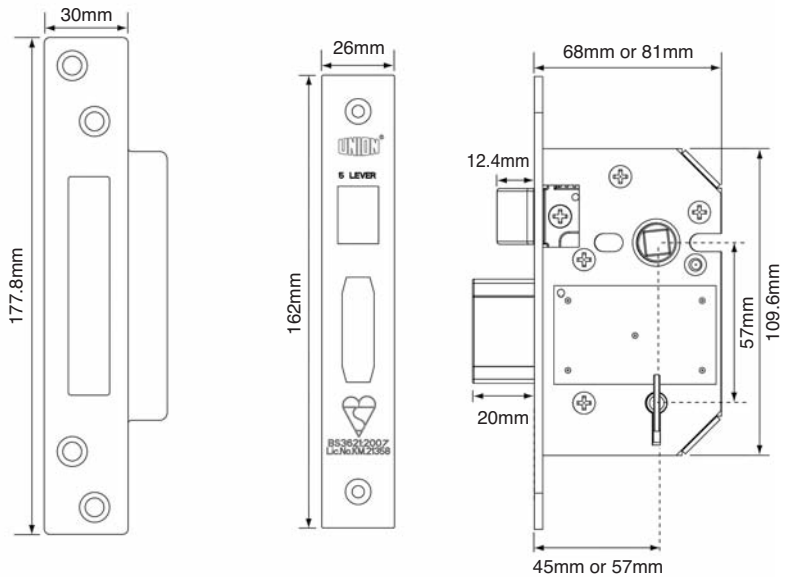
UNION
StrongBOLT™
Deadlock rebate

2100S BS 5 Lever Deadlock

Additional features:
Supplied with covered escutcheons to match forend

Tested to BS EN 3621:2007

2	H	4	1	0	F	7	K	D	0	B
---	---	---	---	---	---	---	---	---	---	---



UNION
StrongBOLT™
Sash lock rebate

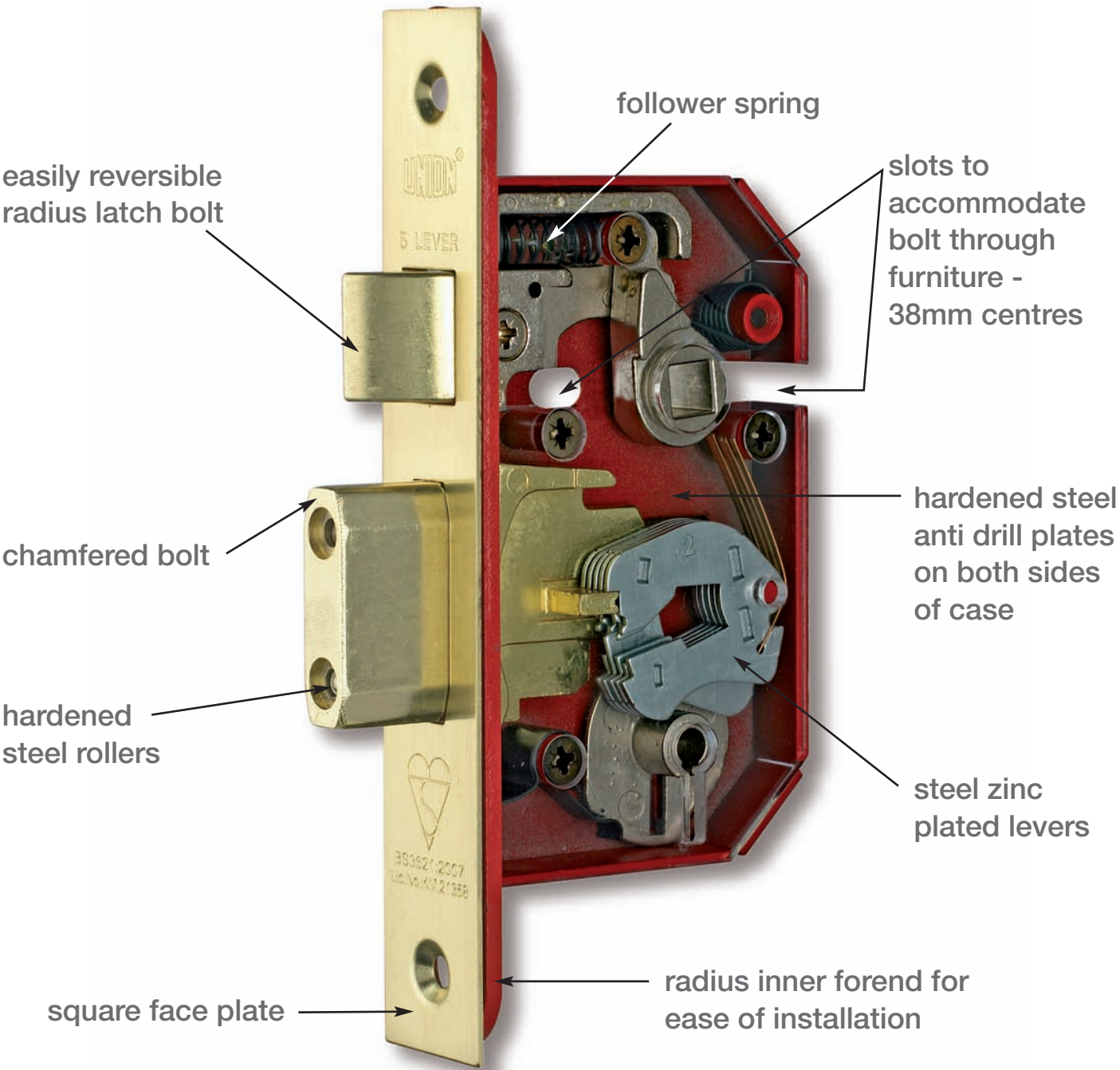
2200S BS 5 Lever Sash Lock

Additional features:
Pierced to accept bolt through door furniture (38mm centres) | Non-handed - easily reversible latchbolt head | Radius latch head for smooth operation

Tested to BS EN 3621:2007

2	H	4	1	0	F	7	K	D	1	B
---	---	---	---	---	---	---	---	---	---	---





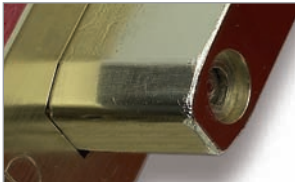
Product features

- Anti-pick, anti-saw and anti-drill security features
- Available in sash lock and deadlock variants
- Tested to BS3621:2007 and BS EN 1634-1, assessed for use on 60 minute timber fire doors
- Sash lock version is non-handed with an easily reversible latch bolt.
- Latch head features a radius design for smooth operation
- Available in both satin stainless steel and satin brass finishes
- Individually boxed and supplied in packs of 10



BS 3621:2007





ASSA ABLOY

UNION

School Street, Willenhall, West Midlands WV13 3PW United Kingdom
t. 0845 22 32 124 f. 0845 22 32 125 e.info@uniononline.co.uk i. www.uniononline.co.uk

ASSA ABLOY is the global leader in door opening solutions, dedicated to satisfying end-user needs for security, safety and convenience.